

# DASYLab 2016



## DASYLab 2016 Feature List

DASYLab 2016 will be coming soon. At the beginning of July the new DASYLab version will be released with a whole package of new features.

### Better precision

The internal data format for both, data acquisition as well as for further processing was changed from „float“ to „double“. Although previously already a variety of hardware was supported, now this profound modification of the whole DASYLab structure allows the full support of the capabilities of high- resolution measurement hardware with a significantly increase accuracy.

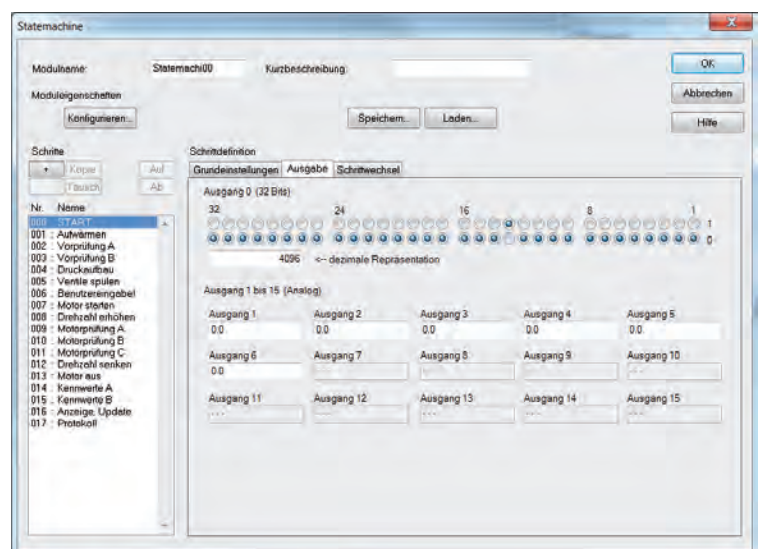
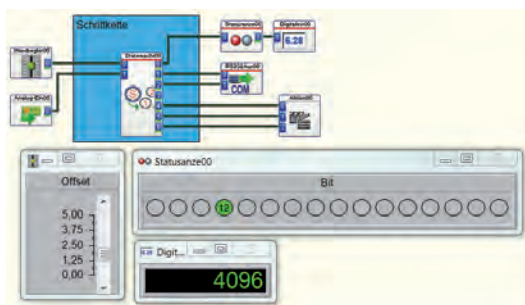
### Larger max. block size

The block size, an important parameter in data processing and analysis, has been limited to 32k values. The values can be increase in the new version to 1 Mega-Samples. Especially with block-related operations such as FFT, the resolution and accuracy increases significantly. Likewise thereby the user benefits from improved support, faster measurement technology and optimized channel multiplexing.

### New sequencer module

The new sequencer module processes sequences with far less modules than in older DASYLab versions.

Previously such applications were built with a combination of action modules, trigger modules, relays and connections. The processes are much easier to create and maintain because the steps can be inserted,



deleted or changed in order within the module. Not only is the creation of the processes with DASYLab accelerated, but the finished worksheet also requires less computing time and memory.



# DASYLab 2016



## Conversion of the standard data format

Besides the DASYLab DDF format now TDM and TDMS format will equally be standard (known from DIAdem and LabVIEW) and supported reading and writing. Herewith the compatibility with other National Instruments products will increase. Of course the DDF format has been extended so that it supports the larger blocks and higher accuracy.

## Some more new features

- x Switch position at the start of measurement is now selectable
- x The output values for switch position on and off can be fixed (double)
  - In the input fields variables can be entered
  - Changed variable values are taken into account during measurement
- x The values for Input/Output now can be set via action
- x Display module: y/t and XY graph,
  - The line type „Pixel“ was added to the module

## General DASYLab Information

- x Compatible with Windows 7, Windows 8 and Windows 10 (32bit / 64 bit)
- x Solution of measurement tasks “without programming” through simple connection of modules
- x More than 20 different input- output modules for a variety of different hardware
- x Pre-made display modules for conclusive visualization of measurement data
- x Integrated functions for different measurement analysis procedures
- x Programming of “own” modules with the integrated Python Script Module
- x Inclusion of your own hardware with an optional extension toolkit



measX GmbH & Co. KG  
Moenchengladbach Headquarters  
Trompeterallee 110  
D-41189 Moenchengladbach  
Telefon: +49 (0) 2166 9520-0  
Telefax: +49 (0) 2166 9520 20

[info@measx.com](mailto:info@measx.com)  
[www.measx.com](http://www.measx.com)

Office Aachen  
Pascalstraße 26  
D-52076 Aachen  
  
Office South  
Martin-Luther-Straße 55  
D-71636 Ludwigsburg

